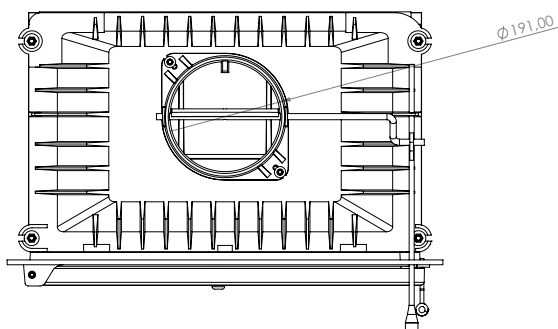
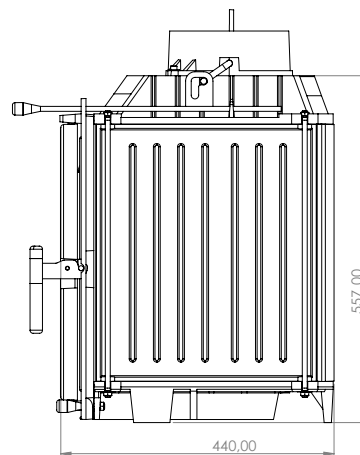
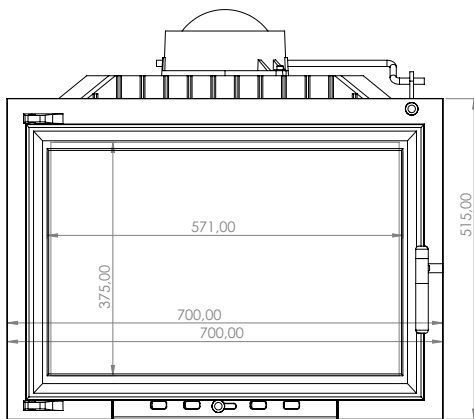


FONT 700



Model	FONT 700
Heating power range (kW)	11 - 14
Heating efficiency (%)	85
Weight (kg)	130
Material	Steel
Fuel type	Wood
Exhaust outlet diameter (mm)	200
Exhaust gas temperature (°C)	250
Max Wood height (cm)	20
Glass	Ceramic
Stone	Vermiculite
Warranty (Year)	5

Technical drawing



Certificates

