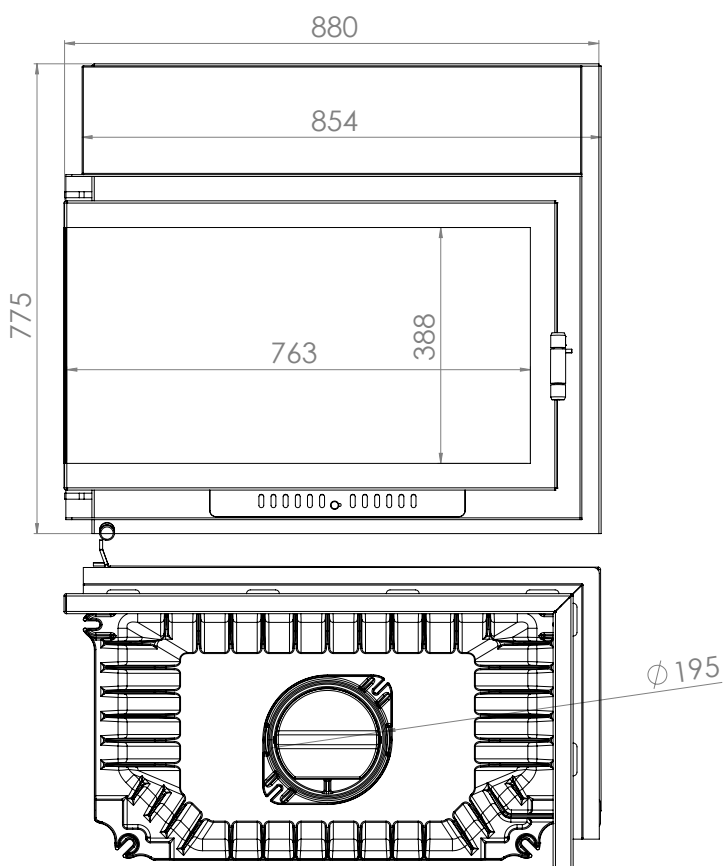


FONT 800 L



Model	FONT 800 L
Heating power range (kW)	8 - 21
Heating efficiency (%)	85
Weight (kg)	130
Material	Cast
Fuel type	Wood
Exhaust outlet diameter (mm)	200
Exhaust gas temperature (°C)	185
Max Wood height (cm)	20
Glass	Ceramic
Stone	Vermiculite
Warranty (Year)	5

Technical drawing



Certificates

