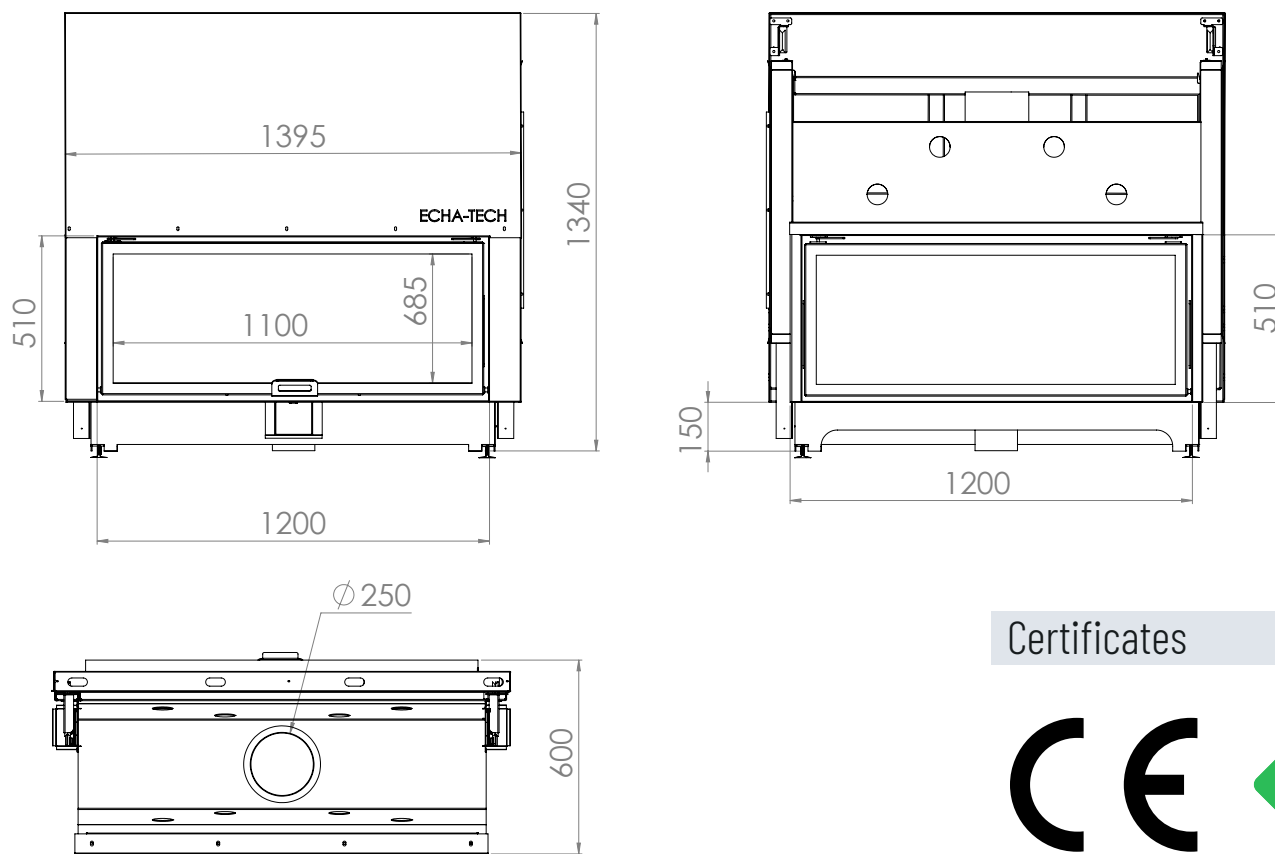


DOUBLE 120x51



Model	DOUBLE 120 x 51
Heating power range (kW)	7,5 - 22
Heating efficiency (%)	85
Weight (kg)	360
Material	Steel
Fuel type	Wood
Exhaust outlet diameter (mm)	250
Exhaust gas temperature (°C)	200
Max Wood height (cm)	20
Glass	Ceramic
Stone	Vermiculite
Warranty (Year)	5

Technical drawing



Certificates

